

TechCut 5™ Precision Sectioning Machine



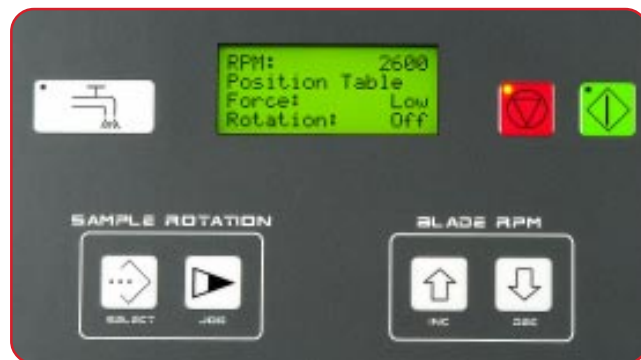
- ❖ 4" - 8" Blade Range
- ❖ Programmable Sectioning Operation
 - ❖ Cutting Capacity: 6" L x 6" W x 2½" H
 - ❖ Adjustable Cut-Depth with Rapid Auto-Retraction
 - ❖ Sample Rotation & Pulse Modes for Thick Samples



TechCut 5™


Precision Sectioning Machine

A versatile, programmable precision high speed saw designed to cut a wide variety and size of materials. The **TechCut 5™** automatically sections materials at high speeds, increasing sample throughput. The microprocessor-based system controls sample feed rate, distance and force, and automatically adjusts feed rate as the cutting condition changes due to varying thickness and/or material differences in the sample. When sectioning is complete, the table automatically retracts the sample to the home position and stops blade rotation and coolant. The new Quick-Release fixturing system allows for easy changes between the T-Slot Table and the X-Axis Tables. Both tables offer a variety of convenient table-specific fixture options.



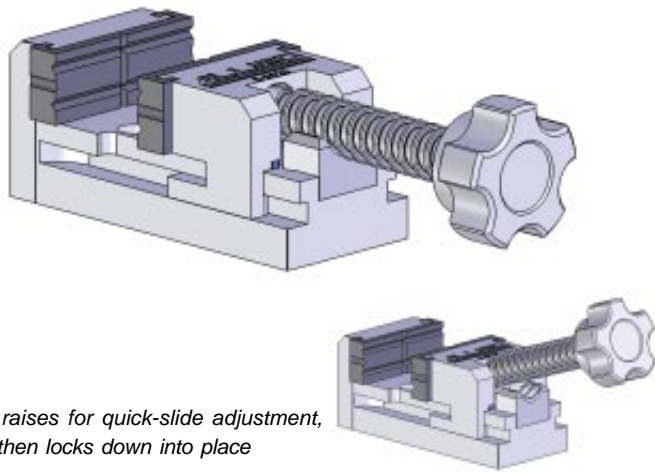
Programmable, with backlit 4-line LCD

TechCut 5™ Features:

- ❖ Interchangeable, Quick-Release Fixturing System
- ❖ Automatic sample advancement (Y-axis), adjustable from 0.05 to 3 inches per minute
- ❖ Soft starting function
- ❖ Capacity: 6" W x 6" L x 2½" H (152 x 152 x 64 mm)
- ❖ Accepts 3-8 inch (76-203 mm) blades with either ½-inch (12.7 mm) or 1¼-inch (32 mm) arbor hole
- ❖ Variable blade speed: 500-5000 RPM
- ❖ Adjustable cut-depth with high-speed auto-retraction
- ❖ Adjustable sample force (low, medium, high) optimizes feed rate automatically
- ❖ Sample rotation and pulse modes for difficult, round or thick samples (when used with optional Rotational Cutting Attachment #5-5545)
- ❖ 1¼ HP (950 W) high torque motor
- ❖ Touch-pad switches control all functions
- ❖ Backlit 4-line LCD display
- ❖ Protective splash cover with safety auto shut-off sensor
- ❖ Recirculating coolant system with adjustable nozzles and cleaning hose, 1¼-gallon capacity
- ❖ Dimensions:
21" W x 31" D x 25" H (533 x 780 x 635 mm)
- ❖ Weight: 147 lb. (67 kg)
- ❖ Two (2) year warranty
- ❖ Designed & manufactured by Allied in the USA 

| Item | Description |
|-----------------------------------------------------------------------------------------------------------|----------------------------------------------------|
| 5-5300 | TechCut 5™ w/Quick-Release Fixturing, 115 V |
| 5-5300-230 | TechCut 5™ w/Quick-Release Fixturing, 230 V |
| Includes: #20-1015 3" Flange Set, #80-ASSORT-4 Assorted 8" Cut-Off Blades and 32 oz. Cutting Fluid | |

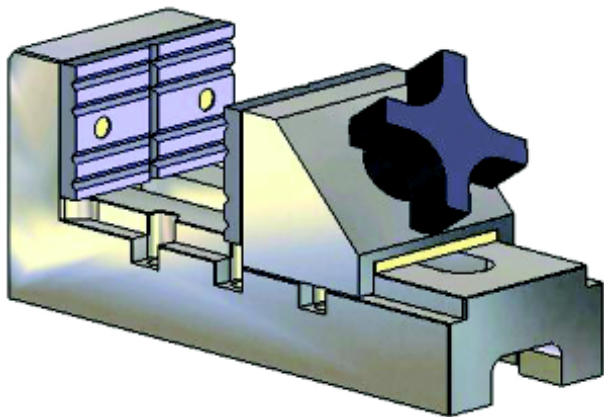
| Indexing Tables & Accessories: | |
|--------------------------------|-----------------------------------------------|
| Item | Description |
| 5-5320 | Quick-Release X-Axis Table (25 µm Resolution) |
| 5-5325 | Quick-Release X-Axis Table (2 µm Resolution) |
| 5-5520 | Cam-Lock Holding Device |
| 15-1045 | Multipurpose Fixture for #5-5520 |
| 5-5525 | Quick-Slide Stainless Steel Vise, 2" Capacity |
| 5-5530 | Z-Stage, 1" Travel with 0.001" Increments |
| 5-5540 | Rotation Stage, 360° with 0.1° Resolution |
| 5-5545 | Rotational Cutting Attachment with Holders |
| 5-5555 | Dual Saddle Clamp Set |
| 5-5560 | Teardrop Holder for 25 mm - 2" mounts |



*Handle raises for quick-slide adjustment,
then locks down into place*

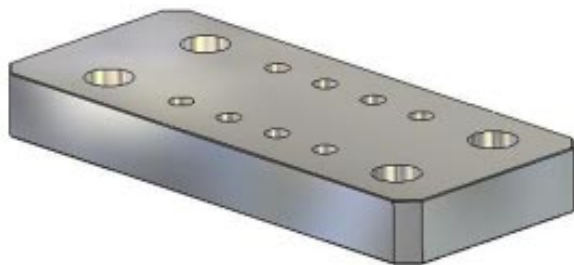
5-5525

Quick-Slide Stainless Steel Vise with Delrin inserts, 0-2.125". Attaches to either X-Axis Stage or Z-Axis Stage.



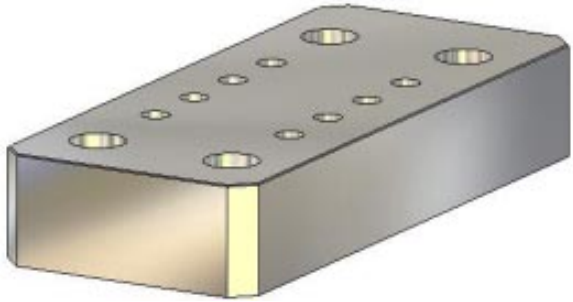
5-5510

Vise, 0-3" Quick Slide, 2.85" wide x 1.20" high.



5-5513

Vise Spacer for #5-5505 vise, 1/2" (12.7mm) thick.



5-5514

Vise Spacer for #5-5505 vise, $\frac{3}{4}$ " (19mm) thick.



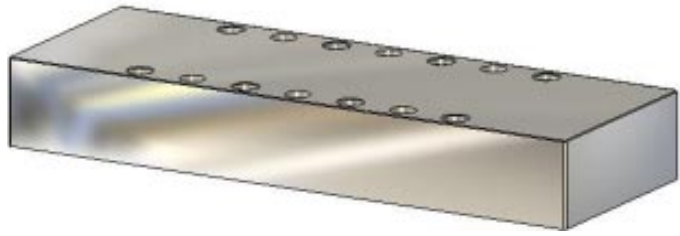
5-5515

Vise Spacer for #5-5505 vise, $1\frac{1}{2}$ " (38mm) thick.



5-5516

Vise Spacer for #5-5510 vise, $\frac{1}{2}$ " (12.7mm) thick.



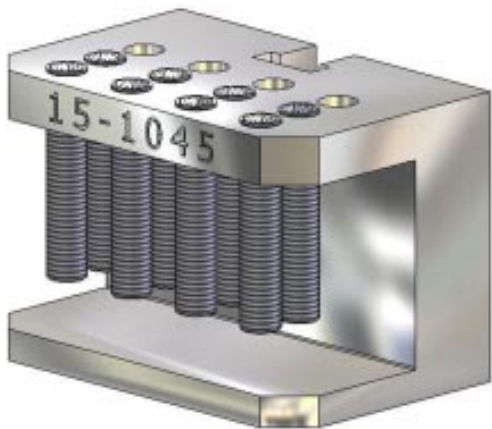
5-5517

Vise Spacer for #5-5510 vise, $\frac{3}{4}$ " (19mm) thick.



5-5520

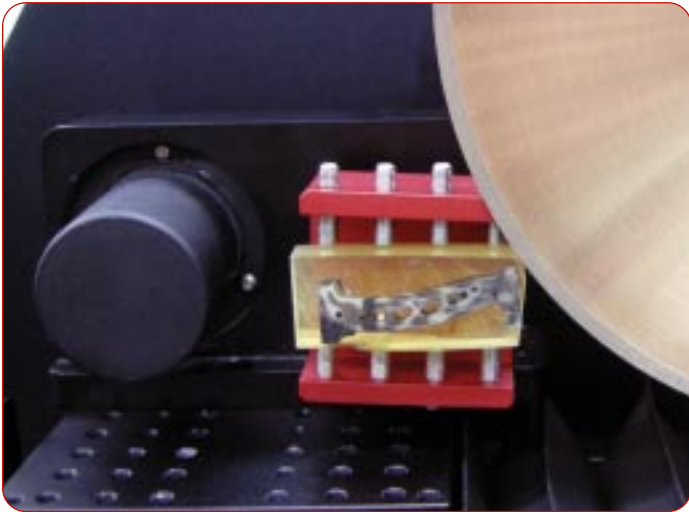
Cam-Lock Holding Device for #15-1045, #15-1046.



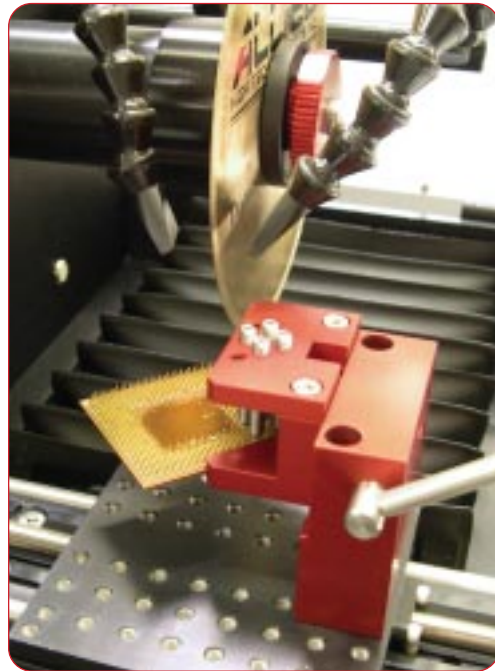
15-1045

Multi-Purpose Sample Fixture, 2.00" wide x 1.00" tall. Also works with TechCut 5™, attached to table using #5-5520 Cam-Lock.

TEHCUT 5™ FIXTURES AND CONFIGURATIONS



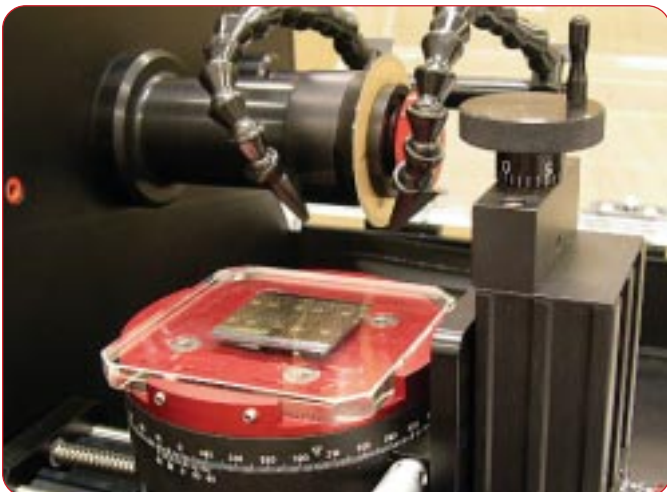
#5-5320 X-Axis Table with #5-5545 Rotational Cutting Attachment



#5-5320 X-Axis Table with #5-5520 Cam-Lock Holding Device



#5-5330 T-Slot Table provides a versatile platform for various fixturing options. Shown here with #5-4050 Vertical Adjusting Clamps



#5-5325 X-Axis Table with #5-5530 Z-Stage and #5-5540 Rotation Stage



Unique table base allows for quick changes between T-Slot and X-Axis Tables.

Global Distribution of



The World's Finest Products



Equipment is subject to change due to innovations/improvements at any time.

Document No: D5-5XXPBV1.0



Allied Equipment and Fixtures are Designed and Manufactured by Allied in the United States

• 2376 East Pacifica Place, Rancho Dominguez, California 90220 USA •
• (800) 675-1118 (US/Canada) • (310) 635-2466 (worldwide) • www.alliedhightech.com •